

FEDERAL UNIVERSITY OF TECHNOLOGY OWERRI

SCHOOL OF ENVIRONMENTAL SCIENCES

DEPARTMENT OF ARCHITECTURE

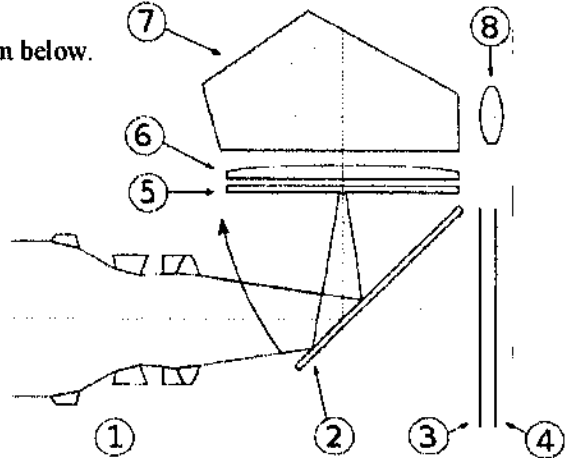
2012
- First Semester Examination 2012/2013 Session.

Arc 311: Architectural Photography.

Time: 1hour:

Answer All Questions –

1. Annotate the parts of SLR camera indicated in the diagram below.



2. Between the light source (object) and the sensor (film) the other components of the camera the light travels through are a) b) c)

3. Which of these is good for an aperture of f/16:

- a. bright sunny day
- b. sunny cloudy day
- c. sun setting period

4. In a twin lens reflex camera one lense is used for ----- and the other for -----

5. The----- is used in controlling the light entering a camera

6. Numerate four shutter speeds:

- i.-----
- ii.-----
- iii.-----
- iv.-----

7. Four possible types of camera from which one must make a choice are:

- i.-----
- ii.-----
- iii.-----
- iv.-----

8. Two methods of minimizing poor image due to camera movement are :

- i.-----
- ii.-----

9. The depth of feil depend on; i..... ii

10. Knowing how the aperture affects the photograph is one of the most important parts of photography. It affects the photograph by; i..... ii..... iii.....