

**FEDERAL UNIVERSITY OF TECHNOLOGY OWERRI**  
**SCHOOL OF ENVIRONMENTAL SCIENCES**  
**DEPARTMENT OF ARCHITECTURE**

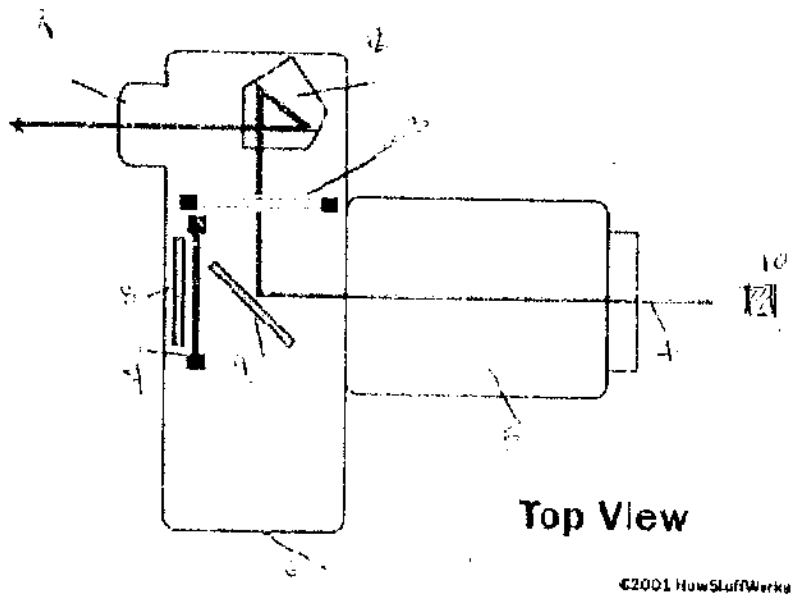
2014/2015 Rain Semester Examination  
 ARCHITECTURAL PHOTOGRAPHY (ARC 312)

Time: 2.00pm-3.00pm (1Hr.)

Date: 19/08/2015

Answer All Questions –

1. Annotate the parts of SLR camera indicated in the diagram below



2. Between the light sources (object) and the sensor (film) the other components of the camera the light travels through are a) ..... b)..... c).....
3. Which of these is good for an aperture of f/16:
- a. Bright sunny day
  - b. sunny cloudy day
  - c. sun setting period
4. In a twin lens reflex camera one lenses is used for ..... and the other for .....
5. The ..... is used in controlling the light entering a camera

6. Numerate four shutter speeds  
 i..... ii..... iii..... iv.....
7. Four possible types of camera from which one must make a choice are:  
 i..... ii..... iii..... iv.....
8. Two methods of minimizing poor image due to camera movement are: i.....  
 ii..... iii..... iv.....
9. The depth of field depends on: i..... ii.....
10. Knowing how the aperture affects the photograph is one of the most important parts of photography. i..... ii..... iii..... iv.....
11. F-numbers is a mathematical number that expresses the diameter of the departure. a Higher c-number = i.a smaller aperture or a larger aperture of the (choose one and ii less light or more light (chosed one)
12. The aperture controls the dept of field in landscape photography The more the aperture is stopped down, the (choose one) or the less depth of field) (choose one)
13. The best time of the day take landscape photograph is a) dawn/noon, b) noon/dusk, c) dawn/dusk, d) one hour before noon/one hour after noon (choose one)
14. The best time of the day to take photograph of architectural relief is a dawn/noon, b) noon/dusk, c) dawn/dusk, d) one hour before noon/one hour after noon (choose one)
15. The best time of the day to take photograph of architectural details is a) Dawn/noon, b) noon/dusk, c) dawn/dusk, d) one hour before noon/one hour after noon)
16. Accessories for cameras are mainly for care protection special affects and functions. Name five i..... ii..... iii..... iv.....
17. What balance does 35mm cameras strike in landscape photograph: i..... ii..... iii..... iv.....
18. Which of these controls how long the sensor is exposed to the light? a) The lens, b), The aperture, c) The shutter d) The ISO number (choose one)
19. Although a range of different shutter devices have been used during the development of the camera only two types have been widely used and remain in use today. Namely; i..... b..... c..... d.....
20. Two accessories that are very important for night landscape effects are; i..... b..... c..... d.....